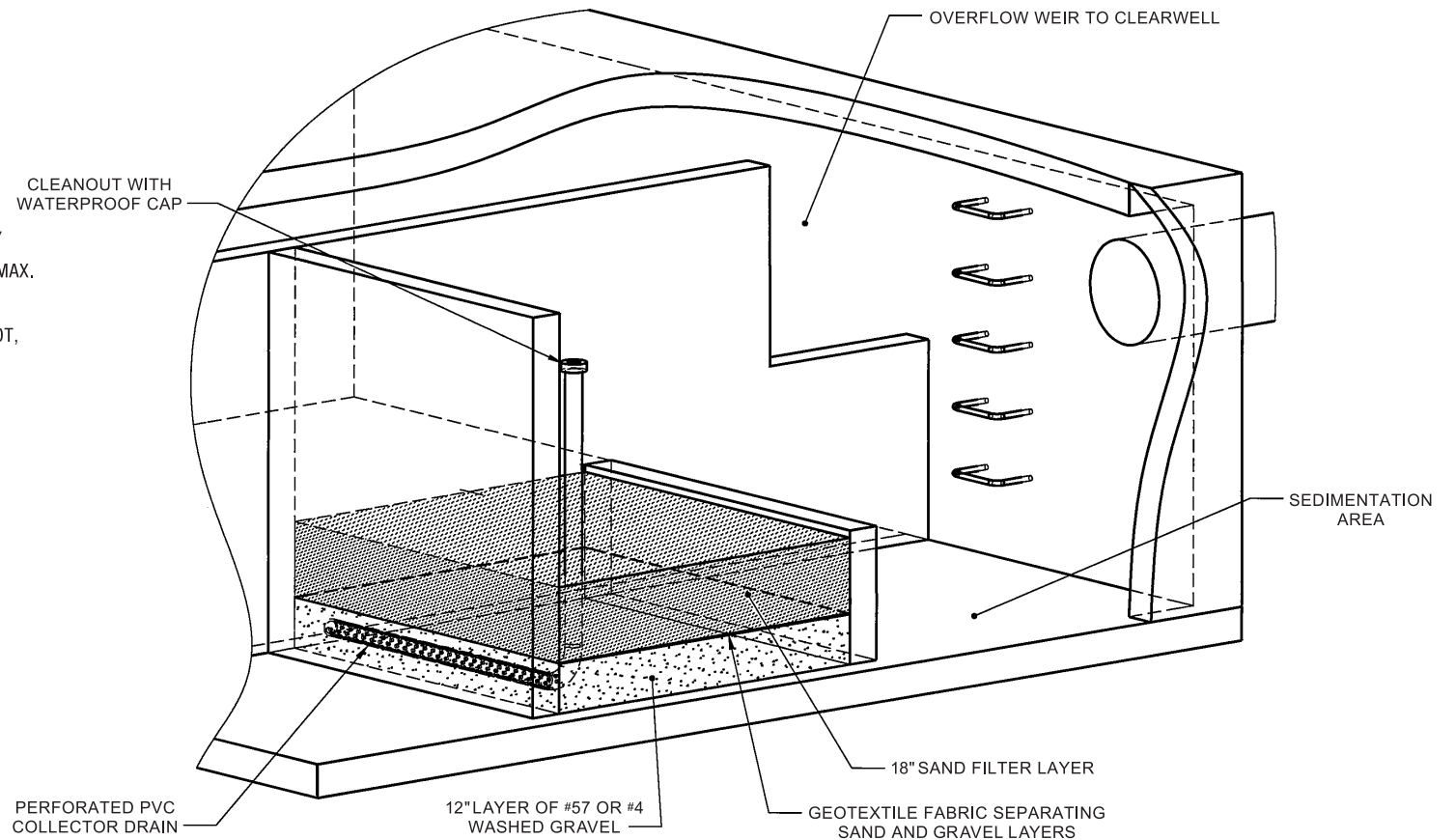


DESIGN SPECIFICATIONS

- CONCRETE MIN. (28 – DAY) COMPRESSIVE STRENGTH: _____ PSI
- EPOXY OR UNCOATED REINFORCING DEFORMED BARS: ASTM A-615 (FY=60 KSI)
- DESIGN LOADING: EARTH DEAD LOAD, AASHTO HS – 20 LIVE LOAD INCLUDING APPLICABLE IMPACT
- OPTIONAL LOADING: COOPER E-80, AIRCRAFT, HS-25 AND ALTERNATE MILITARY
- EARTH COVER: _____ MIN. TO _____ MAX.
- SOIL UNIT WEIGHT: _____ PCF
- DESIGN SPECIFICATIONS: ASTM, AASHTO, DOT, ACI, CRSI, NFPA, EPA's NPDES, and LEED

Optional waterSHED™ Integrated Sand Filter



waterSHED™
DETENTION/FILTRATION/CONTAINMENT SYSTEM