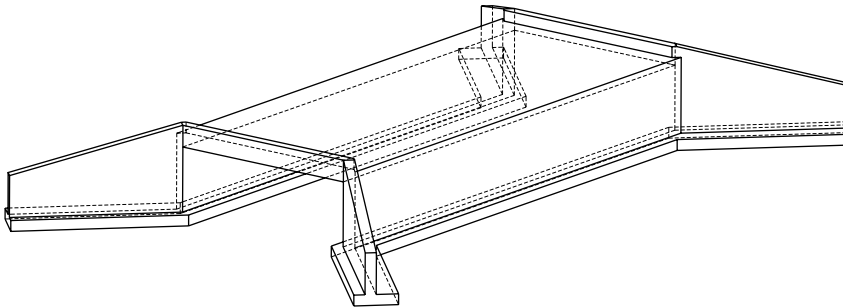


flowSPAN™ CULVERT/BRIDGE SYSTEM

The *flowSPAN™* proprietary system by ECS is a design-build cast-in-place concrete structure that tackles culvert and bridge challenges. The *flowSPAN™* system provides a cost-effective design and a durable structure. In addition, with the ECS cast-in-place system, the timeline from purchase order to project completion is significantly shorter than what you would endure with prefabricated parts. On your next project, delegate the specialized water management structures to ECS and free up the site contractor to focus on what they do best.



THE *flowSPAN™* SYSTEM SATISFIES THE FOLLOWING DESIGN AND CONSTRUCTION STANDARDS

- ASTM (American Society of Testing and Materials)
- AASHTO (American Association of State Highway and Transportation Officials)
- ACI (American Concrete Institute)
- CRSI (Concrete Reinforcing Steel Institute)
- DOTs (State Departments of Transportation)

TESTIMONIALS

“flowSPAN™ provided an alternative solution that saved money and time. ECS’s value engineering improved the overall quality of the design.”

Mike Bramhall, P.E., P.S., President, Bramhall Engineering & Surveying

“We used ECS to install a three-sided culvert bridge on a public job last year. The design and installation process went very smoothly for everyone. I intend to use ECS again.”

Kevin Urig, President, KMU Trucking & Excavating

WHEN TO USE *flowSPAN™*

***flowSPAN™* stormwater conduit in place of precast or prefabricated box culvert**

Because *flowSPAN™* is cast-in-place, it adapts geometrically to many sizes and shapes. In addition, *flowSPAN™* three-sided structures protect natural waterways and meet the rigid requirements mandated by both the EPA and the Army Corps of Engineers. *flowSPAN™* can also match the surrounding environment by using form liners and concrete stain. The *flowSPAN™* proprietary system by ECS offers a unique and sensible solution for your culvert and bridge needs.

***flowSPAN™* cast-in-place concrete structures in place of precast components**

flowSPAN™ provides turnkey design-build solutions for culvert and bridge needs. Because this system is cast-in-place, it adapts geometrically to all site conditions. In addition, *flowSPAN™* creates efficiencies by breaking large spans into multiple adjacent spans whenever possible.