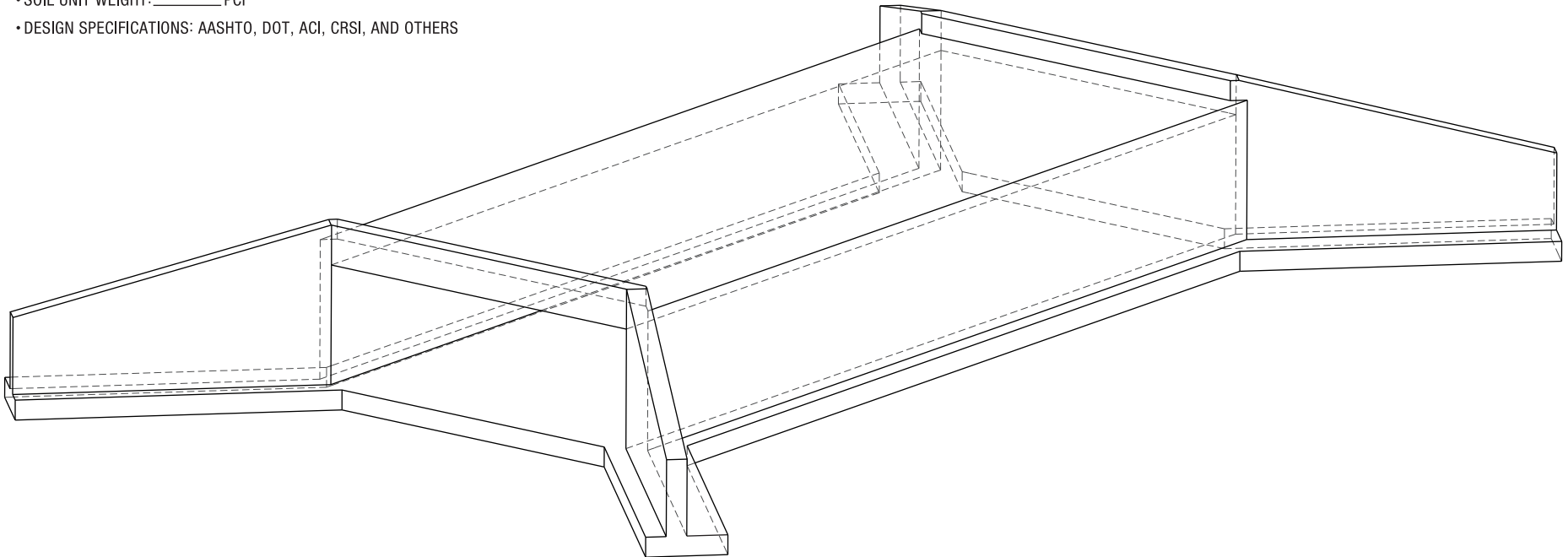


## Four (4) – Sided Box Culvert

### DESIGN SPECIFICATIONS

- CONCRETE MIN. (28 – DAY) COMPRESSIVE STRENGTH: \_\_\_\_\_ PSI
- EPOXY OR UNCOATED REINFORCING DEFORMED BARS: ASTM A-615 (FY=60 KSI)
- DESIGN LOADING: EARTH DEAD LOAD, AASHTO HS – 20 LIVE LOAD INCLUDING APPLICABLE IMPACT
- OPTIONAL LOADING: COOPER E-80, AIRCRAFT, HS-25 AND ALTERNATE MILITARY
- EARTH COVER: \_\_\_\_\_ MIN. TO \_\_\_\_\_ MAX.
- SOIL UNIT WEIGHT: \_\_\_\_\_ PCF
- DESIGN SPECIFICATIONS: AASHTO, DOT, ACI, CRSI, AND OTHERS



*flow***SPAN**<sup>TM</sup>  
CULVERT/BRIDGE SYSTEM